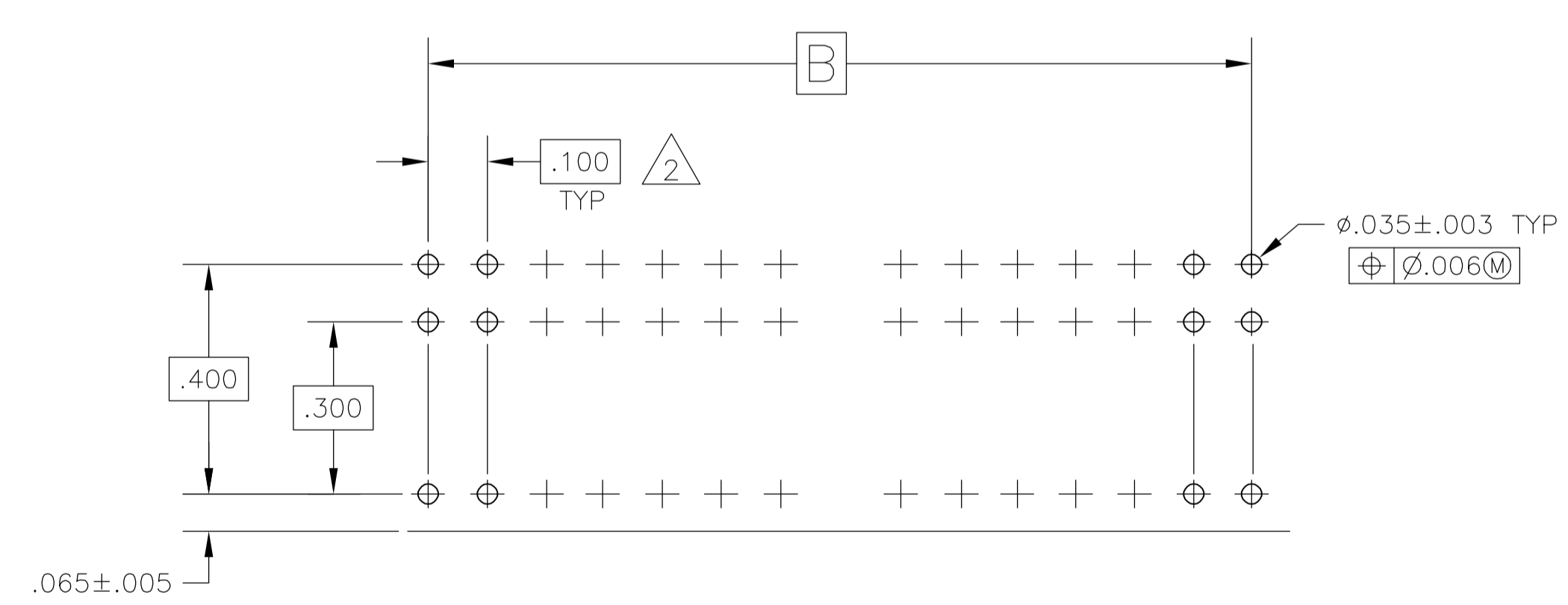
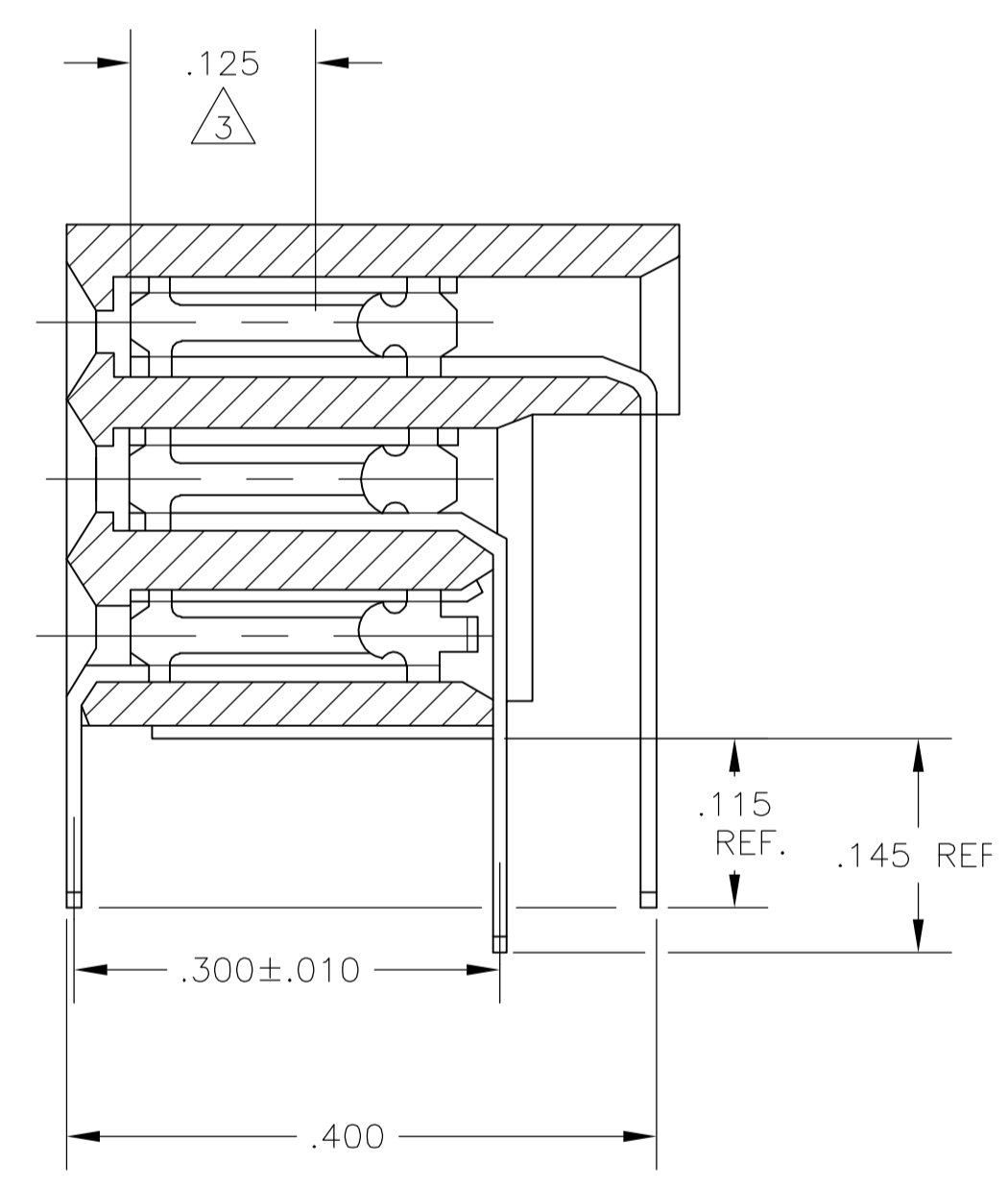
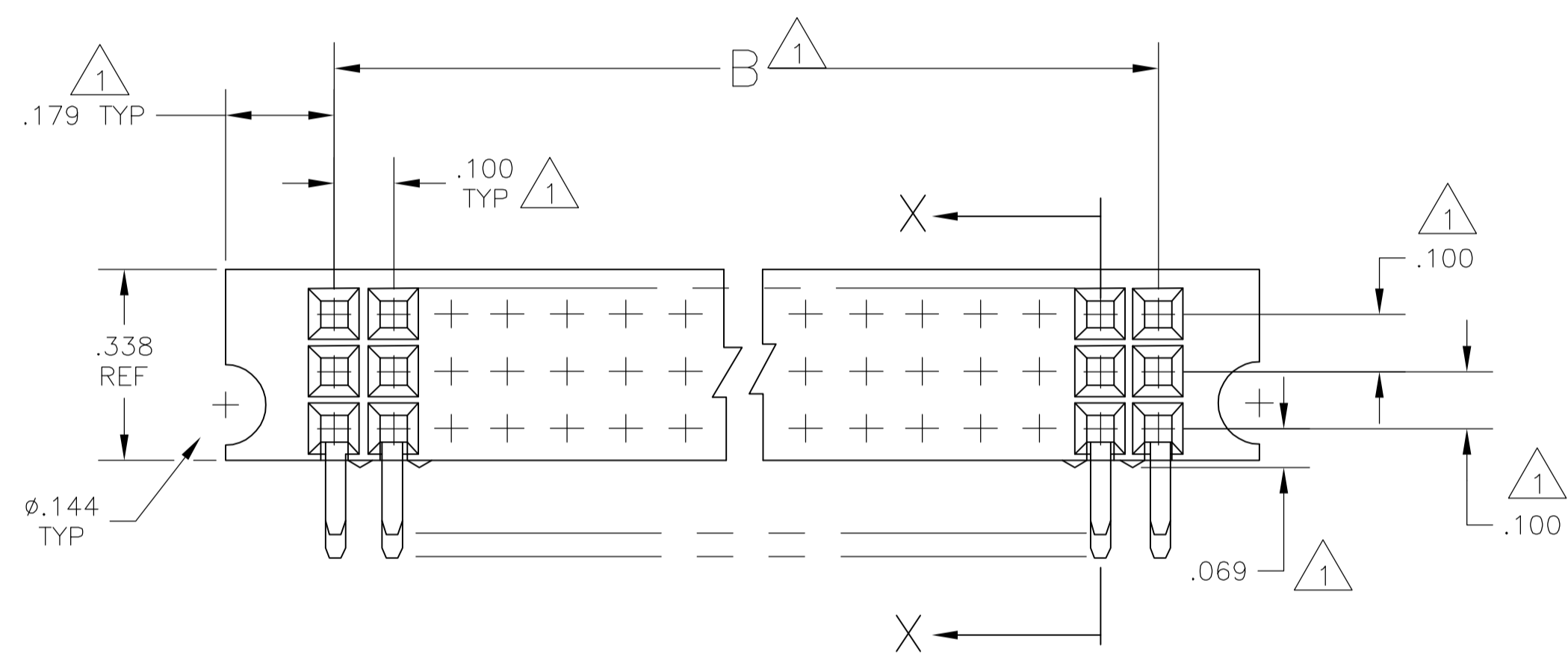
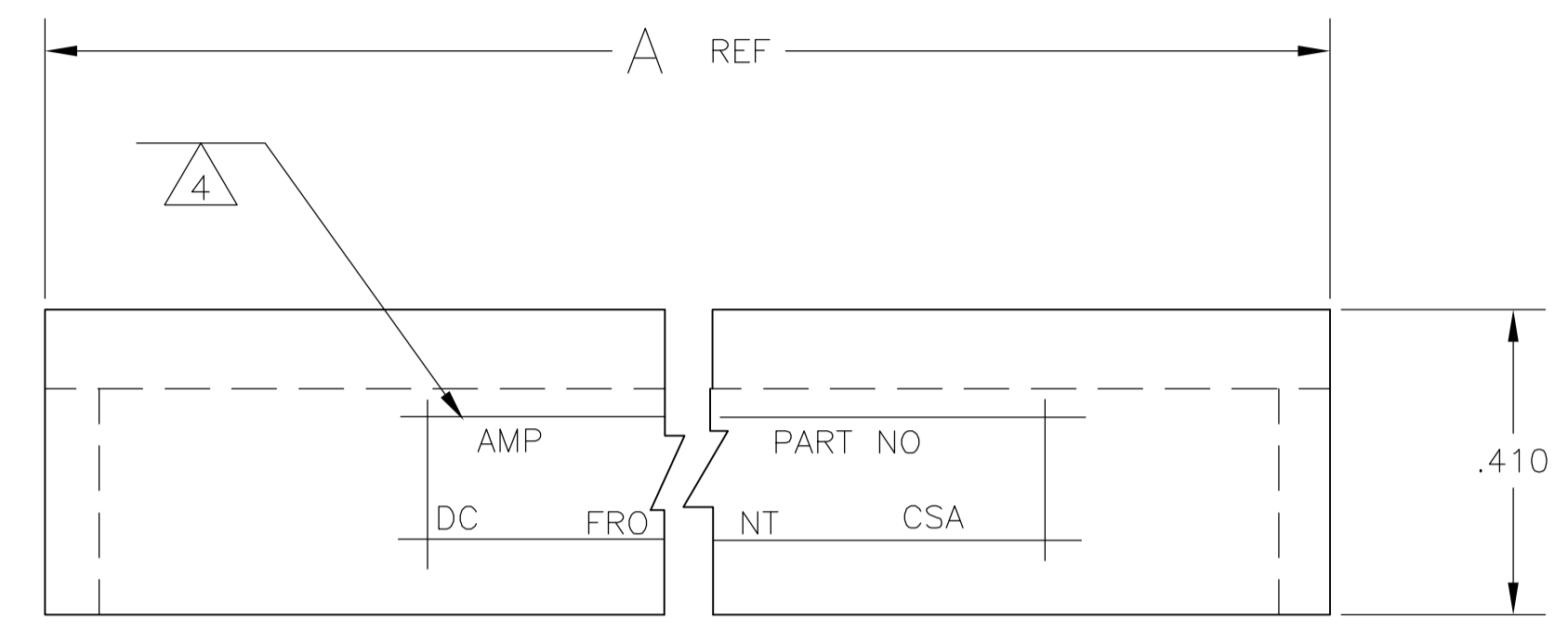


- 1 THESE DIMENSION PERTAIN TO CAVITY CENTRELINES--NOT TO CONTACT LOCATIONS.
- 2 TOLERANCE NON-CUMULATIVE
- 3 POINT OF MEASUREMENT FOR PLATING THICKNESS (MEASURED INSIDE CONTACT BEAMS).
- 4 "AMP", "PART NUMBER", "DATA CODE", THE WORD "FRONT" AND "CSA", MARKED WITH .062 HIGH CHARACTERS. 21 POS. AND SMALLER, FRONT IDENTIFIED WITH "↓" (ARROW)
- 5 HOUSING :POLYPHENYLENE SULFIDE GLASS FILLED.
- 6 CONTACT: PHOS.BRONZE
- 7 CONTACT:.00030 GOLD IN CONTACT AREA, .00050-.0010 BRIGHT TIN-LEAD ON SOLDER TINES, ALL OVER .000050 NICKEL.
- 8 OBSOLETE PART NUMBER
- 9 PRELIMINARY PART--NOT RELEASED FOR PRODUCTION.
- 10 CONTACT: .000030 GOLD IN CONTACT AREA, .000050-.000100 MATTE TIN ON SOLDER LEADS, ALL OVER .000050 NICKEL.
- 11 ROHS 2002/95/EC COMPLIANT.



RECOMMENDED P.C. BOARD LAYOUT

11	10	2.000	2.058	54	6-534974-8
11	10	1.900	1.958	51	6-534974-7
11	10	1.500	1.858	48	6-534974-6
11	10	1.400	1.758	45	6-534974-5
11	10	1.100	1.458	36	6-534974-4
11	10	1.300	1.658	42	6-534974-3
11	10	9.900	10.258	300	6-534974-2
11	10	6.900	7.258	210	6-534974-1
11	10	4.900	5.258	150	5-534974-8
11	10	3.100	3.458	96	5-534974-5
11	10	3.000	3.358	93	5-534974-4
11	10	2.300	2.658	72	5-534974-3
9	10	2.000	2.058	54	1-534974-8
9	10	1.900	1.958	51	1-534974-7
9	10	1.500	1.858	48	1-534974-6
9	10	1.400	1.758	45	1-534974-5
9	10	1.100	1.458	36	1-534974-4
9	10	1.300	1.658	42	1-534974-3
9	10	9.900	10.258	300	1-534974-2
9	10	6.900	7.258	210	1-534974-1
9	10	6.700	7.058	204	1-534974-0
9	10	6.400	6.758	195	1-534974-9
9	10	4.900	5.258	150	1-534974-8
9	10	3.900	4.258	120	1-534974-7
9	10	3.400	3.758	105	1-534974-6
9	10	3.100	3.458	96	1-534974-5
9	10	3.000	3.358	93	1-534974-4
9	10	2.300	2.658	72	1-534974-3
9	10	1.900	2.258	60	1-534974-2
9	10	1.258	1.258	30	1-534974-1
FINISH		B	A	NO POS	PART NO

THIS DRAWING IS A CONTROLLED DOCUMENT. **tyco** Tyco Electronics Corporation
 HARRISBURG, PA 17105-3608

DIMENSIONS: INCHES	TOLERANCES UNLESS OTHERWISE SPECIFIED:	0 PLC ± -	1 PLC ± -	2 PLC ± -	3 PLC ± .005	4 PLC ± -	ANGLES ± -
THIS DRAWING IS A CONTROLLED DOCUMENT. DIM: M. SMITH 08JUL87 CHK: DOUGLAS R. SARVER 27JUL87 APVD: DOUGLAS R. SARVER 27JUL87 NAME: DOUGLAS R. SARVER PRODUCT SPEC: RECEPTACLE ASSEMBLY, MOD. II, CLOSED ENTRY, WITH GUIDE PIN EARS APPLICATION SPEC: MATERIAL: FINISH: WEIGHT: CUSTOMER DRAWING		SIZE: A1	CAGE CODE: 00779	DRAWING NO: 534974	RESTRICTED TO: SCALE: 4:1	SHEET: 1 OF 1	REV: N1